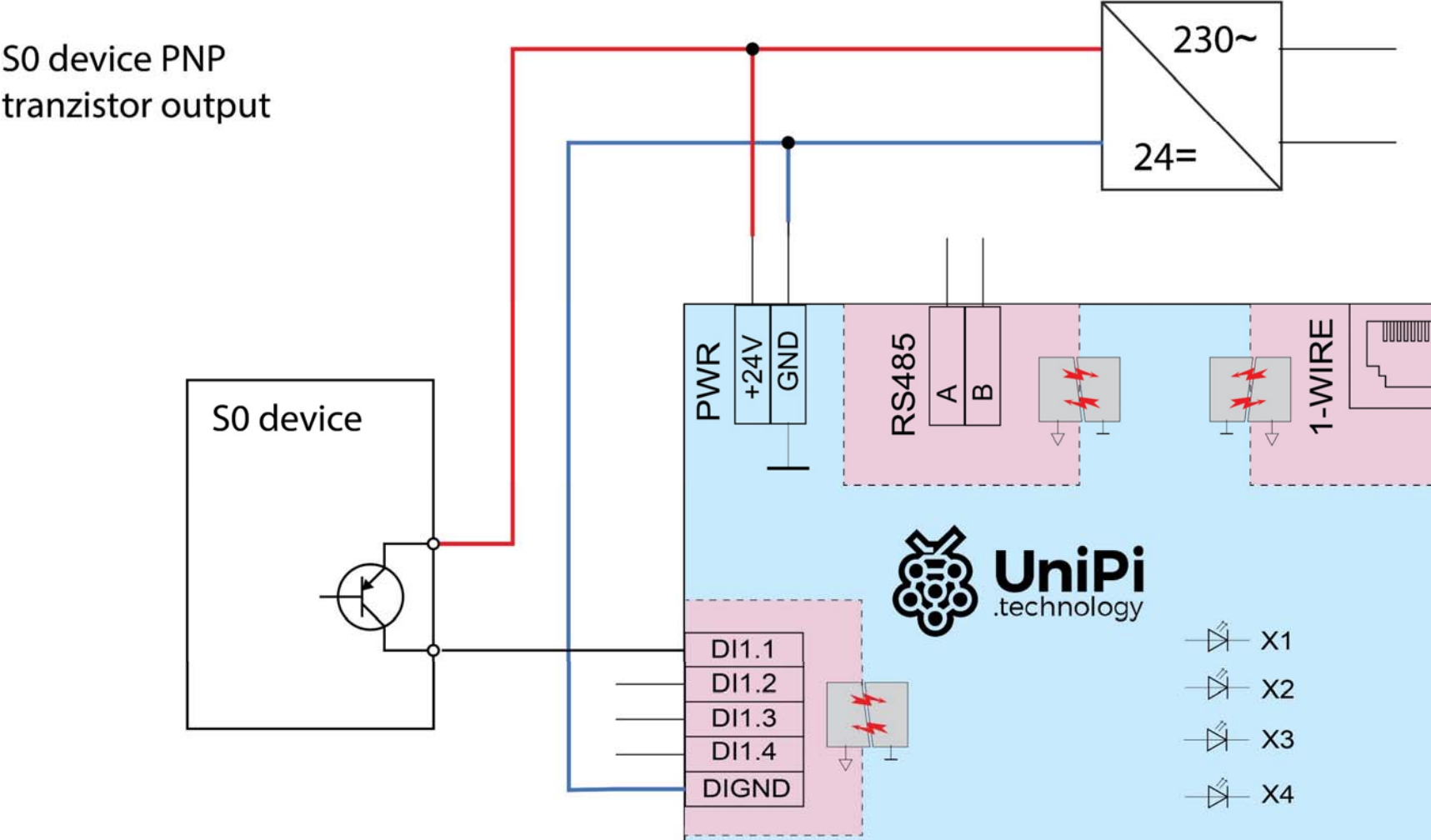


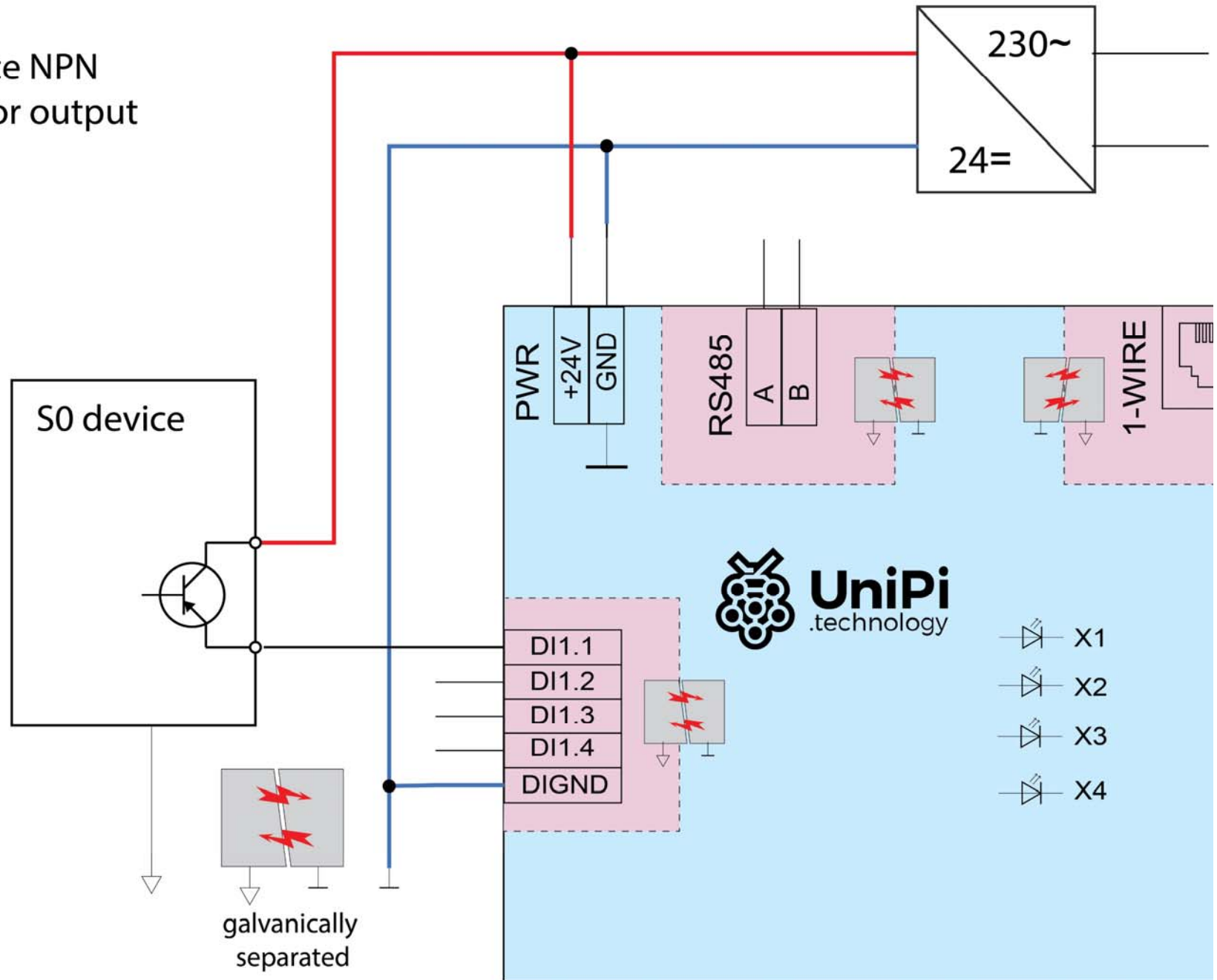
3. Digital input – DI – pulse counter mode

S0 device connection



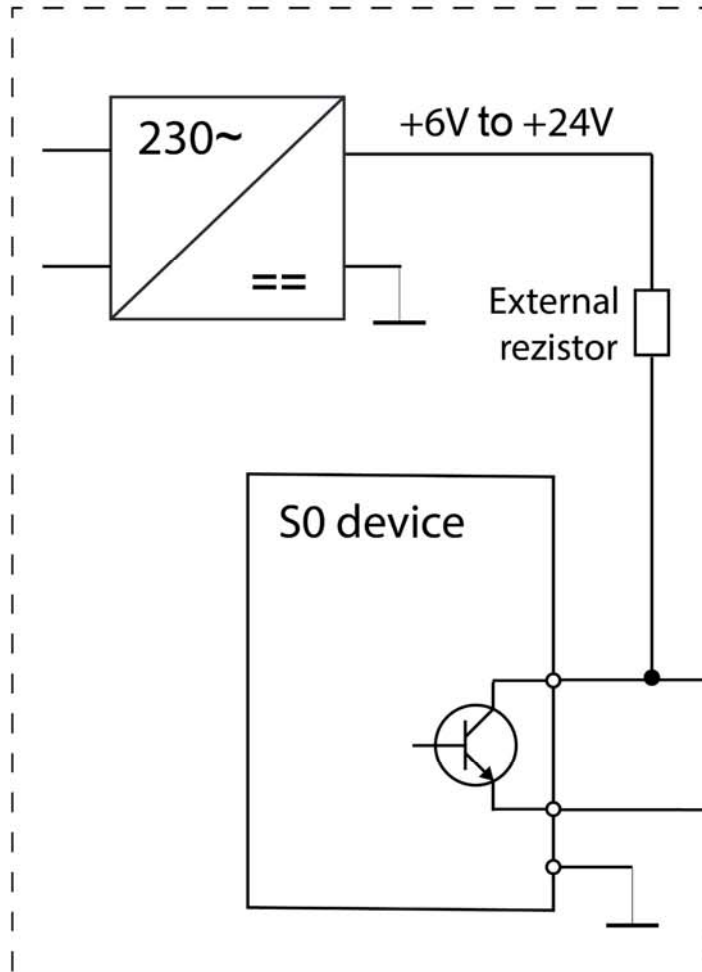
3. Digital input – DI – pulse counter mode

S0 device NPN transistor output



3. Digital input – DI – pulse counter mode

S0 device NPN transistor output
remote switchboard



Supply voltage	6V	12V	24V
External rezistor	330	1K2	2K2

